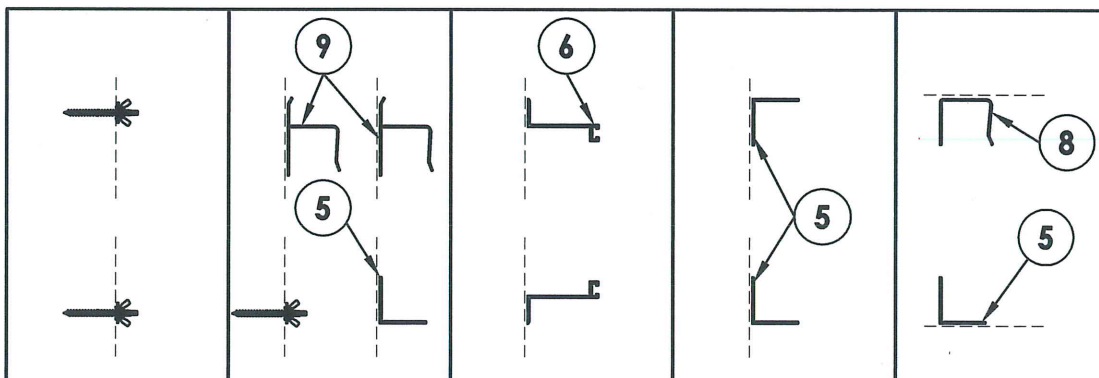
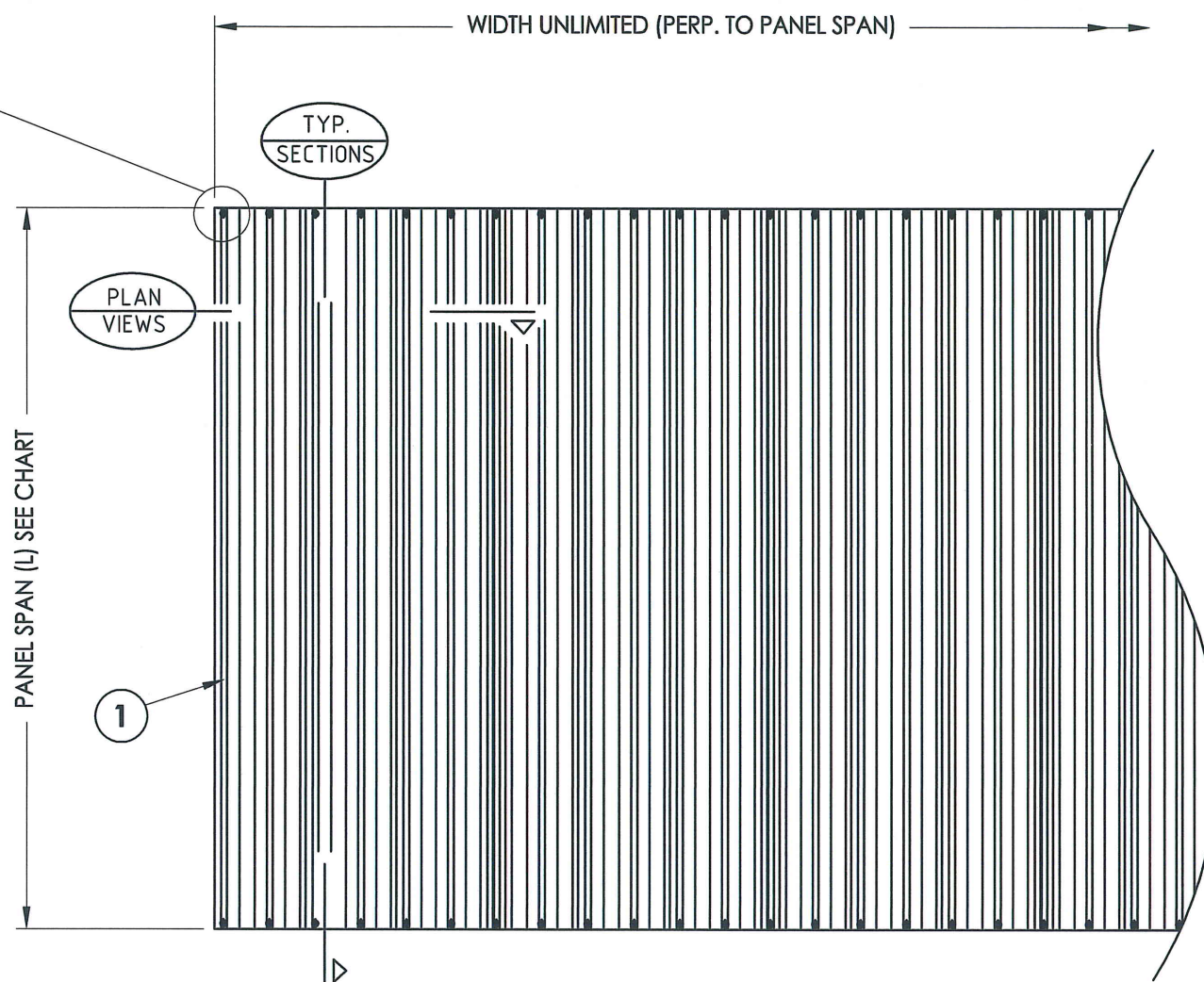
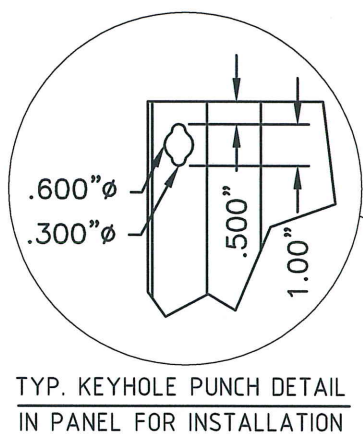


.050" ALUMINUM STORM PANEL

- Aluminum storm panels shall be 3004 H34 or 5052-H32 aluminum alloy, 0.050" thickness.
- This product has been evaluated and is in compliance with the 2007 Florida Building Code (FBC) structural requirements excluding the "High Velocity Hurricane Zone" (HVHZ). When used in areas requiring wind borne debris protection this product complies with Section 1609.1.2 of the FBC and does not require an impact resistant covering. This product meets missile level "D" and excludes Wind Zone 4 as defined in ASTM E1996.
- Product markings shall be rolled into each panel with spacing in between marking no greater than 36".
- Positive and negative design pressures to be used with these drawings shall be determined by others for specific jobs in accordance with the governing code.
- The system detailed herein is generic and does not provide information for a specific site. If site conditions deviate from the conditions detailed herein, a licensed engineer or registered architect shall prepare site specific documents to be used in conjunction with this document.
- Permit holder shall verify the adequacy of the existing structure to withstand new superimposed loads.
- All extrusions shall be 6063-T6 aluminum alloy, unless noted otherwise.
- Top & bottom details shown may be interchanged as field conditions dictate. Panels may be mounted horizontally where applicable.
- All bolts & washers shall be zinc coated steel, galvanized steel or stainless steel.
- Anchors shall be installed in accordance with anchor manufacturer's recommendations. Embedment lengths and edge distances shall be as recommended by the anchor manufacturer but in no instance shall they be less than as shown on these approved drawings. Embedment and edge distances shall not include stucco or other finishes.



PANEL SPAN (L)	DIRECT MOUNT DESIGN PRESSURE (PSF)	"h" MOUNT DESIGN PRESSURE (PSF)	"F" BUILD-OUT MOUNT DESIGN PRESSURE (PSF)	WALL MOUNT DESIGN PRESSURE (PSF)	"U" HEADER MOUNT DESIGN PRESSURE (PSF)
12" < L <= 53"	+120.0 -130.0	+120.0 -130.0	+120.0 -130.0	+120.0 -130.0	+120.0 -130.0
53" < L <= 70"	+90.0 -98.0	+83.0 -90.0	+90.0 -98.0	+83.0 -90.0	+83.0 -90.0
70" < L <= 86"	+73.0 -80.0	+65.0 -70.0	+73.0 -80.0	+65.0 -70.0	+65.0 -70.0
86" < L <= 106"	+60.0 -65.0	+50.0 -55.0	+60.0 -65.0	+50.0 -55.0	+50.0 -55.0

PANEL SPAN (L)	TRAP MOUNT DESIGN PRESSURE (PSF)
12" < L <= 46"	+120.0 -130.0
46" < L <= 63"	+83.0 -90.0
63" < L <= 79"	+65.0 -70.0
79" < L <= 99"	+50.0 -55.0

TABLE OF CONTENTS	
SHEET #	DESCRIPTION
1	Typical elevation, general notes & details
2	Bill of materials & components
3	Typical closure details
4	Typical cross sections
5	Typical cross sections
6	Anchoring schedule - concrete
7	Anchoring schedule - block
8	Anchoring schedule - wood

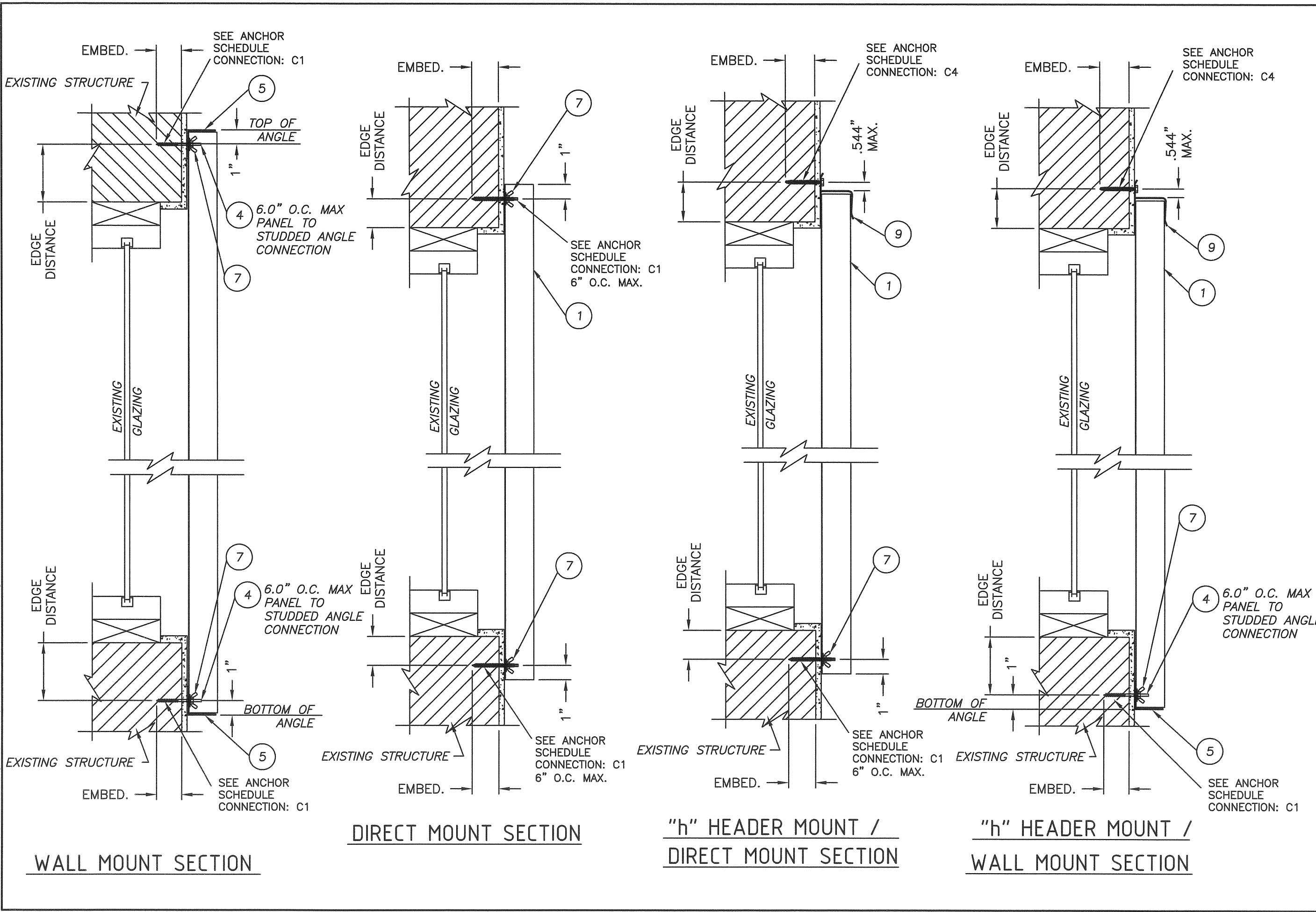
Documents Prepared By:
RW BUILDING CONSULTANTS, INC.
 P.O. Box 230 Valrico FL 33595
 Phone No.: 813.659.9197
 Florida Board of Professional Engineers
 Certificate Of Authorization No. 9813
 6-9-10
 Lyndon F. Schmidt, P.E. No. 43409

PRODUCT:
 ASI ANCHOR SAFE
 PANEL SHUTTER SYSTEM
 .050" ALUMINUM PANEL
 PART OR ASSEMBLY:
 TYPICAL ELEVATIONS,
 GENERAL NOTES & DETAILS

NO.	DATE	BY	REVISIONS

DATE: 3/5/09
 SCALE: N.T.S.
 DWG. BY: AL
 CHK. BY: LFS
 DRAWING NO.: FL-7989.3
 SHEET 1 OF 8

R:\A - Projects\Project Folders\Proj 1001-1100\p1077\FL-7989\FL-7989.dwg, 3-4



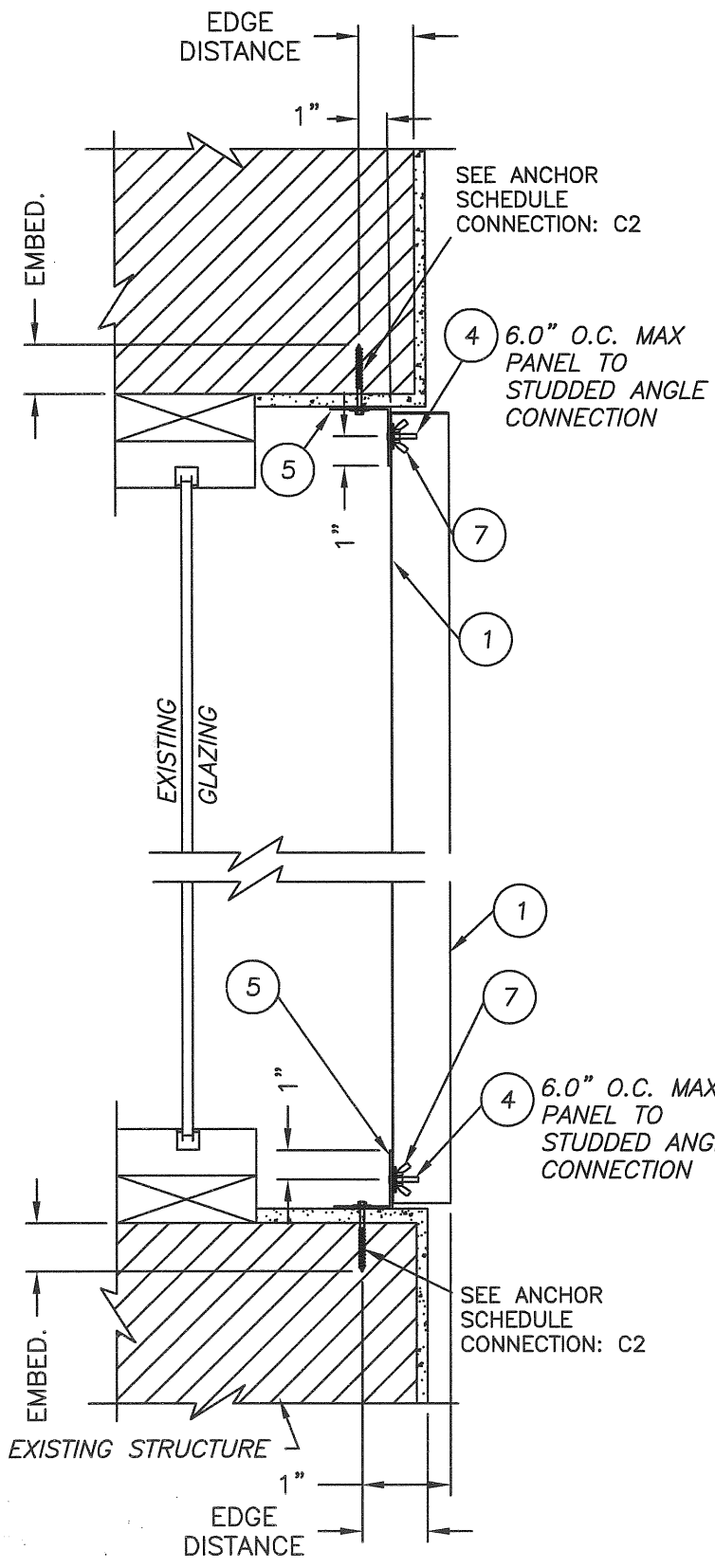
Documents Prepared By: **RW** BUILDING CONSULTANTS, INC.
P.O. Box 230 Valrico FL 33595
Phone No.: 813.659.9197
Florida Board of Professional Engineers
Certificate Of Authorization No. 9813
Lyndon F. Schmidt, P.E. No. 43409

PRODUCT: ASI ANCHOR SAFE
PANEL SHUTTER SYSTEM
.050" ALUMINUM PANEL
PART OR ASSEMBLY: TYPICAL CROSS SECTIONS

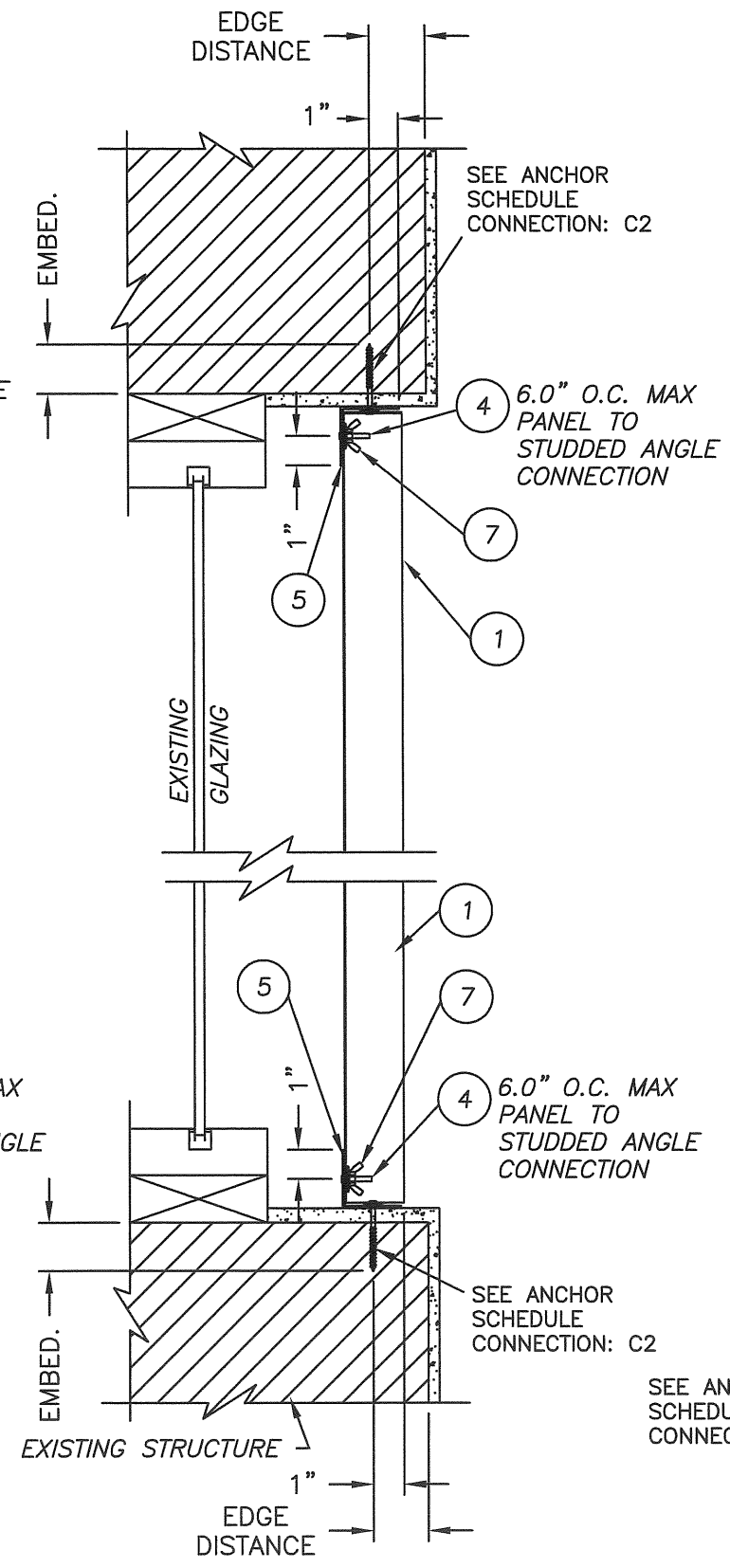
NO.	DATE	BY	REVISIONS

DATE: 3/5/09
SCALE: N.T.S.
DWG. BY: AL
CHK. BY: LFS
DRAWING NO.: FL-7989.3
SHEET 4 OF 8

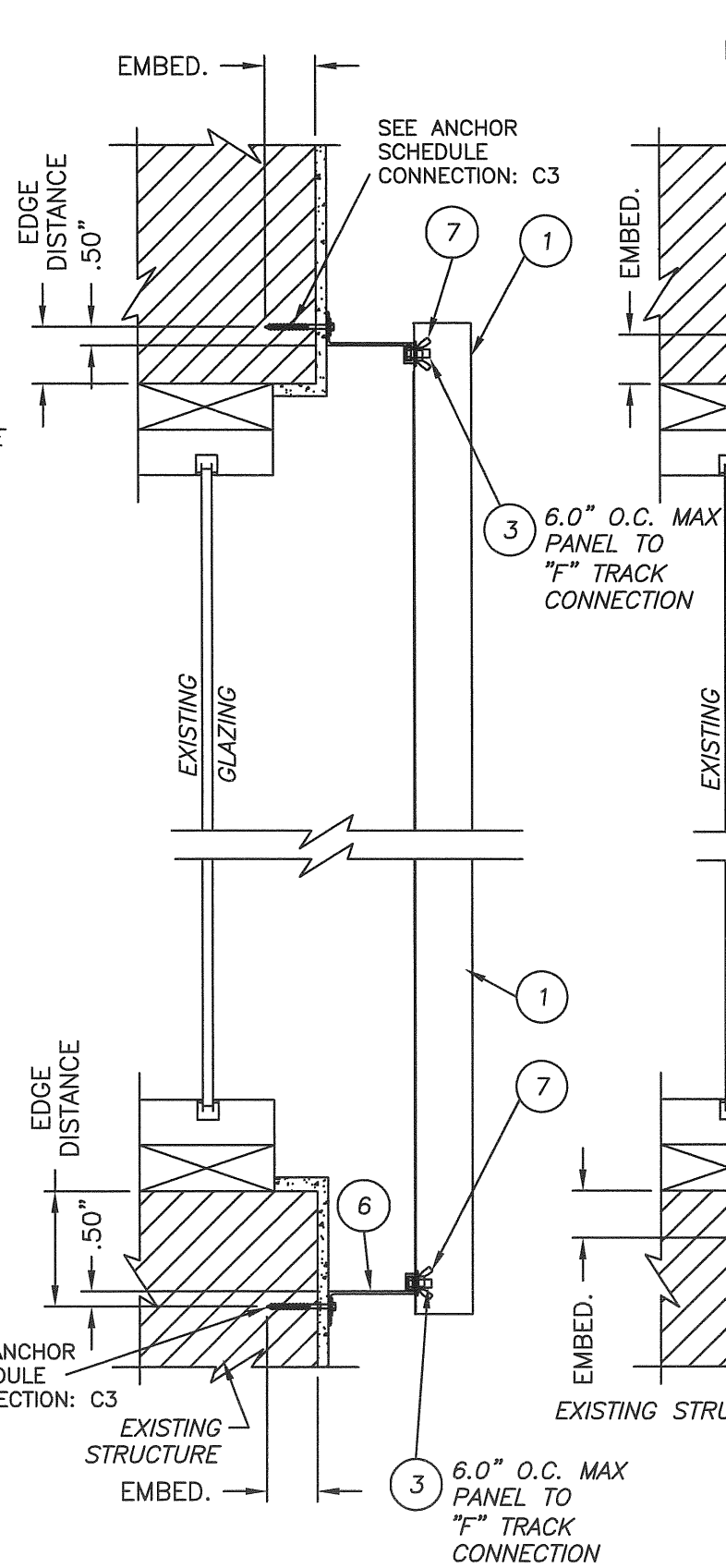
© 2009 R.W. BUILDING CONSULTANTS INC.



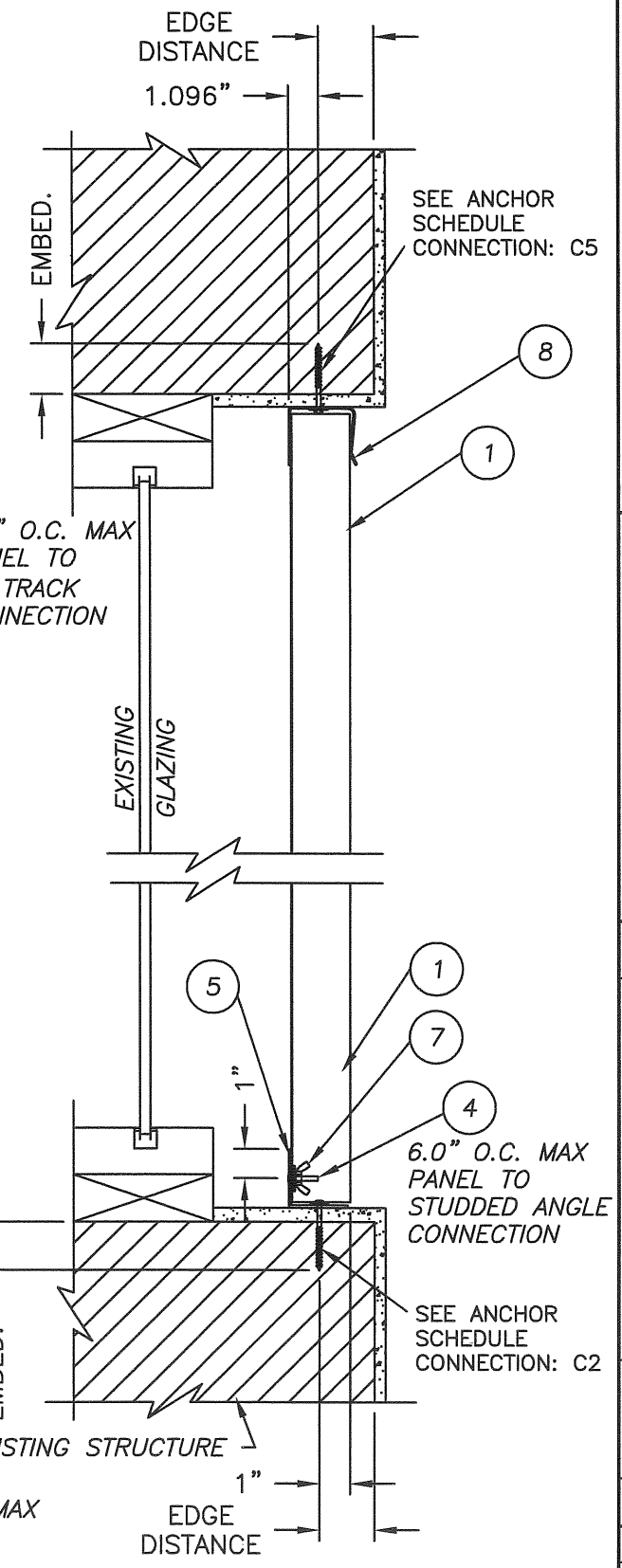
**2"x2" ANGLE TRAP MOUNT
REVERSED ANGLE**



2"x2" ANGLE TRAP MOUNT



"F" TRACK BUILD-OUT



"U" HEADER SECTION

Documents Prepared By: **RW** BUILDING CONSULTANTS, INC.
 P.O. Box 230 Valrico FL 33595
 Phone No.: 813.659.9197
 Florida Board of Professional Engineers
 Certificate Of Authorization No. 9813
 Lyndon F. Schmidt, P.E. No. 43409







PRODUCT: ASI ANCHOR SAFE
 PANEL SHUTTER SYSTEM
 .050" ALUMINUM PANEL
 PART OR ASSEMBLY: TYPICAL CROSS SECTIONS

NO.	DATE	REVISIONS	BY

DATE: 3/5/09
 SCALE: N.T.S.
 DWG. BY: AL
 CHK. BY: LFS
 DRAWING NO.: FL-7989.3
 SHEET 5 OF 8

© 2009 R.W. BUILDING CONSULTANTS INC.

ANCHOR SCHEDULE

ANCHOR	CONNECTION TYPE										
	C1**		C2		C3		C4		C5		
LOAD (psf)	Spans Up to 53"	Spans Up to 106"	Spans Up to 53"	Spans Up to 106"	Spans Up to 53"	Spans Up to 106"	Spans Up to 53"	Spans Up to 106"	Spans Up to 53"	Spans Up to 106"	
 <p>1/2" ELCO OR ITW TAPCON EM = 1.75" CL = 3" (ITW) 4" (ELCO) ED = 2.5" (3000 psi MIN. CONC.)</p>	30	12.0"	12.0"	12.0"	12.0"	12.0"	12.0"	12.0"	12.0"	12.0"	
	35	12.0"	12.0"	12.0"	12.0"	12.0"	12.0"	12.0"	12.0"	12.0"	
	50	12.0"	12.0"	12.0"	11.5"	12.0"	8.7"	10.4"	5.1"	12.0"	10.6"
	60	12.0"	12.0"	12.0"	9.6"	12.0"	7.3"	8.5"	4.2"	12.0"	8.8"
	65	12.0"	12.0"	12.0"	8.8"	12.0"	6.7"	7.8"	12.0"	12.0"	8.1"
	87	12.0"	12.0"	12.0"	6.6"	10.0"	5.0"	5.8"	12.0"	12.0"	6.1"
	130	12.0"	12.0"	12.0"	8.8"	6.7"	12.0"	12.0"	12.0"	12.0"	8.1"
	30	12.0"	12.0"	12.0"	12.0"	12.0"	12.0"	12.0"	12.0"	12.0"	12.0"
	35	12.0"	12.0"	12.0"	12.0"	12.0"	12.0"	12.0"	12.0"	12.0"	12.0"
	50	12.0"	12.0"	12.0"	12.0"	12.0"	12.0"	10.3"	11.7"	12.0"	11.5"
	60	12.0"	12.0"	12.0"	10.4"	12.0"	8.3"	9.7"	4.8"	12.0"	9.6"
	65	12.0"	12.0"	12.0"	9.6"	12.0"	7.7"	9.0"	4.5"	12.0"	8.8"
	87	12.0"	12.0"	12.0"	7.2"	11.5"	5.7"	6.7"	12.0"	12.0"	6.6"
130	12.0"	12.0"	12.0"	9.6"	7.7"	4.5"	4.5"	12.0"	12.0"	8.8"	
 <p>1/4" ITW RED HEAD DYNAMITE SLEEVE ANCHOR EM = 1.125" CL = 3" ED = 1.5" (3000 psi MIN. CONC.)</p>	30	12.0"	12.0"	12.0"	12.0"	12.0"	12.0"	12.0"	12.0"	12.0"	
	35	12.0"	12.0"	12.0"	12.0"	12.0"	12.0"	12.0"	12.0"	12.0"	
	50	12.0"	12.0"	12.0"	12.0"	12.0"	12.0"	10.3"	11.7"	12.0"	11.5"
	60	12.0"	12.0"	12.0"	10.4"	12.0"	8.3"	9.7"	4.8"	12.0"	9.6"
	65	12.0"	12.0"	12.0"	9.6"	12.0"	7.7"	9.0"	4.5"	12.0"	8.8"
	87	12.0"	12.0"	12.0"	7.2"	11.5"	5.7"	6.7"	12.0"	12.0"	6.6"
	130	12.0"	12.0"	12.0"	9.6"	7.7"	4.5"	4.5"	12.0"	12.0"	8.8"
	30	12.0"	12.0"	12.0"	12.0"	12.0"	12.0"	12.0"	12.0"	12.0"	12.0"
	35	12.0"	12.0"	12.0"	12.0"	12.0"	12.0"	12.0"	12.0"	12.0"	12.0"
	50	12.0"	12.0"	12.0"	12.0"	12.0"	12.0"	10.3"	11.7"	12.0"	11.5"
	60	12.0"	12.0"	12.0"	10.4"	12.0"	8.3"	9.7"	4.8"	12.0"	9.6"
	65	12.0"	12.0"	12.0"	9.6"	12.0"	7.7"	9.0"	4.5"	12.0"	8.8"
	87	12.0"	12.0"	12.0"	7.2"	11.5"	5.7"	6.7"	12.0"	12.0"	6.6"
130	12.0"	12.0"	12.0"	9.6"	7.7"	4.5"	4.5"	12.0"	12.0"	8.8"	
 <p>1/4" POWERS CALK-IN & 1/4"-20 SCREW EM = 0.875" CL = 3.0" ED = 3.75" (3000psi MIN. CONC.)</p>	30	12.0"	12.0"	12.0"	12.0"	12.0"	12.0"	12.0"	12.0"	12.0"	
	35	12.0"	12.0"	12.0"	12.0"	12.0"	12.0"	12.0"	12.0"	12.0"	
	50	12.0"	12.0"	12.0"	12.0"	12.0"	12.0"	10.3"	11.7"	12.0"	11.5"
	60	12.0"	12.0"	12.0"	10.4"	12.0"	8.3"	9.7"	4.8"	12.0"	9.6"
	65	12.0"	12.0"	12.0"	9.6"	12.0"	7.7"	9.0"	4.5"	12.0"	8.8"
	87	12.0"	12.0"	12.0"	7.2"	11.5"	5.7"	6.7"	12.0"	12.0"	6.6"
	130	12.0"	12.0"	12.0"	9.6"	7.7"	4.5"	4.5"	12.0"	12.0"	8.8"
	30	12.0"	12.0"	12.0"	12.0"	12.0"	12.0"	12.0"	12.0"	12.0"	12.0"
	35	12.0"	12.0"	12.0"	12.0"	12.0"	12.0"	12.0"	12.0"	12.0"	12.0"
	50	12.0"	12.0"	12.0"	12.0"	12.0"	12.0"	10.3"	11.7"	12.0"	11.5"
	60	12.0"	12.0"	12.0"	10.4"	12.0"	8.3"	9.7"	4.8"	12.0"	9.6"
	65	12.0"	12.0"	12.0"	9.6"	12.0"	7.7"	9.0"	4.5"	12.0"	8.8"
	87	12.0"	12.0"	12.0"	7.2"	11.5"	5.7"	6.7"	12.0"	12.0"	6.6"
130	12.0"	12.0"	12.0"	9.6"	7.7"	4.5"	4.5"	12.0"	12.0"	8.8"	
 <p>1/4" POWERS STEEL DROP-IN & 1/4"-20 SIDEWALK BOLT (3/4" HEAD) EM = 1.0" CL = 3.0" ED = 3.5" (3000psi MIN. CONC.)</p>	30	12.0"	12.0"	12.0"	12.0"	12.0"	12.0"	12.0"	12.0"	12.0"	
	35	12.0"	12.0"	12.0"	12.0"	12.0"	12.0"	12.0"	12.0"	12.0"	
	50	12.0"	12.0"	12.0"	12.0"	12.0"	12.0"	10.3"	11.7"	12.0"	11.5"
	60	12.0"	12.0"	12.0"	10.4"	12.0"	8.3"	9.7"	4.8"	12.0"	9.6"
	65	12.0"	12.0"	12.0"	9.6"	12.0"	7.7"	9.0"	4.5"	12.0"	8.8"
	87	12.0"	12.0"	12.0"	7.2"	11.5"	5.7"	6.7"	12.0"	12.0"	6.6"
	130	12.0"	12.0"	12.0"	9.6"	7.7"	4.5"	4.5"	12.0"	12.0"	8.8"
	30	12.0"	12.0"	12.0"	12.0"	12.0"	12.0"	12.0"	12.0"	12.0"	12.0"
	35	12.0"	12.0"	12.0"	12.0"	12.0"	12.0"	12.0"	12.0"	12.0"	12.0"
	50	12.0"	12.0"	12.0"	12.0"	12.0"	12.0"	10.3"	11.7"	12.0"	11.5"
	60	12.0"	12.0"	12.0"	10.4"	12.0"	8.3"	9.7"	4.8"	12.0"	9.6"
	65	12.0"	12.0"	12.0"	9.6"	12.0"	7.7"	9.0"	4.5"	12.0"	8.8"
	87	12.0"	12.0"	12.0"	7.2"	11.5"	5.7"	6.7"	12.0"	12.0"	6.6"
130	12.0"	12.0"	12.0"	9.6"	7.7"	4.5"	4.5"	12.0"	12.0"	8.8"	
 <p>1/4" ZAMAC NAILIN EM = 1.125" CL = 2.5" ED = 3.0"</p>	30	12.0"	12.0"	12.0"	12.0"	12.0"	12.0"	12.0"	12.0"	12.0"	
	35	12.0"	12.0"	12.0"	12.0"	12.0"	12.0"	12.0"	12.0"	12.0"	
	50	12.0"	12.0"	12.0"	12.0"	12.0"	12.0"	10.3"	11.7"	12.0"	11.5"
	60	12.0"	12.0"	12.0"	10.4"	12.0"	8.3"	9.7"	4.8"	12.0"	9.6"
	65	12.0"	12.0"	12.0"	9.6"	12.0"	7.7"	9.0"	4.5"	12.0"	8.8"
	87	12.0"	12.0"	12.0"	7.2"	11.5"	5.7"	6.7"	12.0"	12.0"	6.6"
	130	12.0"	12.0"	12.0"	9.6"	7.7"	4.5"	4.5"	12.0"	12.0"	8.8"
	30	12.0"	12.0"	12.0"	12.0"	12.0"	12.0"	12.0"	12.0"	12.0"	12.0"
	35	12.0"	12.0"	12.0"	12.0"	12.0"	12.0"	12.0"	12.0"	12.0"	12.0"
	50	12.0"	12.0"	12.0"	12.0"	12.0"	12.0"	10.3"	11.7"	12.0"	11.5"
	60	12.0"	12.0"	12.0"	10.4"	12.0"	8.3"	9.7"	4.8"	12.0"	9.6"
	65	12.0"	12.0"	12.0"	9.6"	12.0"	7.7"	9.0"	4.5"	12.0"	8.8"
	87	12.0"	12.0"	12.0"	7.2"	11.5"	5.7"	6.7"	12.0"	12.0"	6.6"
130	12.0"	12.0"	12.0"	9.6"	7.7"	4.5"	4.5"	12.0"	12.0"	8.8"	
 <p>1/4" ALL POINTS SOLID-SET ANCHOR x 7/8" EMBED EM = 0.875" CL = 3" ED = 2" (3,000 PSI MIN. CONC.)</p>	30	12.0"	12.0"	12.0"	12.0"	12.0"	12.0"	12.0"	12.0"	12.0"	
	35	12.0"	12.0"	12.0"	12.0"	12.0"	12.0"	12.0"	12.0"	12.0"	
	50	12.0"	12.0"	12.0"	12.0"	12.0"	12.0"	10.3"	11.7"	12.0"	11.5"
	60	12.0"	12.0"	12.0"	10.4"	12.0"	8.3"	9.7"	4.8"	12.0"	9.6"
	65	12.0"	12.0"	12.0"	9.6"	12.0"	7.7"	9.0"	4.5"	12.0"	8.8"
	87	12.0"	12.0"	12.0"	7.2"	11.5"	5.7"	6.7"	12.0"	12.0"	6.6"
	130	12.0"	12.0"	12.0"	9.6"	7.7"	4.5"	4.5"	12.0"	12.0"	8.8"
	30	12.0"	12.0"	12.0"	12.0"	12.0"	12.0"	12.0"	12.0"	12.0"	12.0"
	35	12.0"	12.0"	12.0"	12.0"	12.0"	12.0"	12.0"	12.0"	12.0"	12.0"
	50	12.0"	12.0"	12.0"	12.0"	12.0"	12.0"	10.3"	11.7"	12.0"	11.5"
	60	12.0"	12.0"	12.0"	10.4"	12.0"	8.3"	9.7"	4.8"	12.0"	9.6"
	65	12.0"	12.0"	12.0"	9.6"	12.0"	7.7"	9.0"	4.5"	12.0"	8.8"
	87	12.0"	12.0"	12.0"	7.2"	11.5"	5.7"	6.7"	12.0"	12.0"	6.6"
130	12.0"	12.0"	12.0"	9.6"	7.7"	4.5"	4.5"	12.0"	12.0"	8.8"	


CONCRETE

ED = MINIMUM EDGE DISTANCE.
CL = MINIMUM SPACING OF ANCHOR CENTERLINE TO CENTERLINE.
EM = MINIMUM EMBEDMENT OF ANCHOR INTO STRUCTURAL SUBSTRATE.




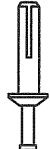

**NOTE:
FOR DIRECT MOUNT CONDITIONS, ANCHOR SPACING MUST NOT EXCEED 6" MAXIMUM ON CENTER REGARDLESS OF THE ANCHOR SPACING SHOWN IN THE THESE SCHEDULES.

DATE:	3/5/09
SCALE:	N.T.S.
DWG. BY:	AL
CHK. BY:	LFS
DRAWING NO.:	FL-7989.3
SHEET	6 OF 8

PRODUCT:	ASI ANCHOR SAFE PANEL SHUTTER SYSTEM .050" ALUMINUM PANEL
PART OR ASSEMBLY:	ANCHORING SCHEDULE CONCRETE

Documents Prepared By:
 BUILDING CONSULTANTS, INC.
P.O. Box 230 Valrico FL 33595
Phone No.: 813.659.9197
Florida Board of Professional Engineers
Certificate Of Authorization No. 9813
LFS 6-7-10
Lyndon F. Schmidt, P.E. No. 43409

ANCHOR SCHEDULE

ANCHOR	CONNECTION TYPE										
	C1**	C2		C3		C4		C5			
LOAD (psf)	Spans Up to 53"	Spans Up to 106"	Spans Up to 53"	Spans Up to 106"	Spans Up to 53"	Spans Up to 106"	Spans Up to 53"	Spans Up to 106"	Spans Up to 53"	Spans Up to 106"	
 <p>1/4" ELCO OR ITW TAPCON EM = 1.75" CL = 3" (TW) 4" (ELCO) ED = 2.5"</p>	30	12.0"	12.0"	12.0"	10.7"	5.3"	6.2"	12.0"	8.5"	12.0"	
	35	12.0"	12.0"	12.0"	8.1"	4.6"	5.3"	12.0"	7.3"	12.0"	
	50	12.0"	12.0"	12.0"	11.4"	6.4"	5.3"	12.0"	5.1"	12.0"	
	60	12.0"	12.0"	12.0"	9.5"	5.3"	5.3"	12.0"	4.2"	12.0"	
	65	12.0"	12.0"	12.0"	8.8"	4.9"	4.9"	12.0"	7.8"	12.0"	
	87	10.9"	5.4"	6.5"	4.4"	4.4"	4.4"	12.0"	5.8"	12.0"	
	130	7.3"	4.4"	4.4"	4.4"	4.4"	4.4"	12.0"	5.8"	12.0"	
	30	12.0"	12.0"	12.0"	11.7"	12.0"	8.3"	9.7"	12.0"	10.7"	12.0"
	35	12.0"	12.0"	12.0"	10.0"	12.0"	7.1"	8.3"	12.0"	9.2"	12.0"
	50	12.0"	12.0"	12.0"	7.0"	10.0"	5.0"	5.8"	12.0"	6.4"	12.0"
 <p>1/4" PANELMATE (PLUS OR FEMALE) EM = 1.25" CL = 3" ED = 2.5"</p>	60	12.0"	12.0"	12.0"	8.3"	4.1"	4.8"	10.7"	5.3"	12.0"	
	65	12.0"	12.0"	12.0"	11.3"	7.7"	4.5"	9.9"	4.9"	12.0"	
	87	12.0"	8.4"	8.1"	4.0"	5.7"	5.7"	7.4"	7.4"	12.0"	
	130	11.3"	5.4"	5.4"	5.4"	5.4"	5.4"	4.9"	4.9"	12.0"	
	30	12.0"	12.0"	12.0"	12.0"	12.0"	8.6"	10.0"	12.0"	12.0"	12.0"
	35	12.0"	12.0"	12.0"	11.9"	12.0"	7.3"	8.6"	12.0"	10.7"	12.0"
	50	12.0"	12.0"	12.0"	8.3"	10.3"	5.1"	6.0"	12.0"	7.5"	12.0"
	60	12.0"	12.0"	12.0"	6.9"	8.6"	4.3"	5.0"	12.0"	6.2"	12.0"
	65	12.0"	12.0"	12.0"	6.4"	7.9"	4.6"	4.6"	11.5"	5.7"	12.0"
	87	12.0"	8.7"	9.5"	4.8"	5.9"	5.9"	8.6"	4.3"	4.3"	12.0"
 <p>1/4" POWERS CALK-IN & 1/4-20 SCREW EM = 0.875" CL = 3.0" ED = 3.75"</p>	130	11.7"	6.4"	6.4"	6.4"	6.4"	6.4"	5.7"	5.7"	12.0"	
	30	12.0"	12.0"	12.0"	9.3"	10.7"	5.3"	6.2"	12.0"	8.3"	12.0"
	35	12.0"	12.0"	12.0"	7.9"	9.2"	4.6"	5.3"	12.0"	7.1"	12.0"
	50	12.0"	12.0"	12.0"	5.5"	6.4"	5.3"	5.3"	10.0"	5.0"	12.0"
	60	12.0"	12.0"	12.0"	9.3"	4.6"	5.3"	4.9"	8.3"	4.1"	12.0"
	65	12.0"	12.0"	12.0"	8.6"	4.3"	4.9"	4.9"	7.7"	7.7"	12.0"
	87	10.9"	5.4"	6.4"	6.4"	6.4"	6.4"	6.4"	5.7"	5.7"	12.0"
	130	7.3"	4.3"	4.3"	4.3"	4.3"	4.3"	4.3"	5.7"	5.7"	12.0"
	30	12.0"	12.0"	12.0"	10.3"	12.0"	6.4"	7.5"	12.0"	9.3"	12.0"
	35	12.0"	12.0"	12.0"	8.8"	11.0"	5.5"	6.4"	12.0"	8.0"	12.0"
 <p>1/4" ZAMAC NAILIN EM = 1.125" CL = 2.5" ED = 3.0"</p>	50	12.0"	12.0"	12.0"	6.2"	7.7"	4.5"	11.2"	5.6"	12.0"	
	60	12.0"	12.0"	12.0"	10.3"	6.4"	6.4"	9.3"	4.6"	12.0"	
	65	12.0"	12.0"	12.0"	9.5"	4.7"	4.7"	8.6"	4.3"	12.0"	
	87	12.0"	6.5"	7.1"	7.1"	7.1"	7.1"	6.4"	6.4"	12.0"	
	130	8.8"	4.7"	4.7"	4.7"	4.7"	4.7"	4.3"	4.3"	12.0"	
	30	12.0"	12.0"	12.0"	12.0"	12.0"	11.0"	12.0"	12.0"	12.0"	12.0"
	35	12.0"	12.0"	12.0"	11.3"	12.0"	9.4"	11.1"	12.0"	10.5"	12.0"
	50	12.0"	12.0"	12.0"	7.9"	12.0"	6.6"	7.7"	12.0"	7.3"	12.0"
	60	12.0"	12.0"	12.0"	6.6"	11.0"	5.5"	6.4"	12.0"	6.1"	12.0"
	65	12.0"	12.0"	12.0"	6.1"	10.1"	5.0"	5.9"	11.3"	5.6"	12.0"
 <p>1/4" ALL POINTS SOLID-SET ANCHOR x 7/8" EMBED EM = 0.875" CL = 3" ED = 2"</p>	87	12.0"	11.1"	9.1"	4.5"	7.5"	4.4"	8.4"	4.2"	12.0"	
	130	12.0"	6.1"	6.1"	6.1"	5.0"	5.0"	5.6"	5.6"	12.0"	

HOLLOW BLOCK

ED = MINIMUM EDGE DISTANCE.
CL = MINIMUM SPACING OF ANCHOR CENTERLINE TO CENTERLINE.
EM = MINIMUM EMBEDMENT OF ANCHOR INTO STRUCTURAL SUBSTRATE.

**NOTE:
FOR DIRECT MOUNT CONDITIONS, ANCHOR SPACING MUST NOT EXCEED 6" MAXIMUM ON CENTER REGARDLESS OF THE ANCHOR SPACING SHOWN IN THE THESE SCHEDULES.

DATE: 3/5/09
SCALE: N.T.S.
DWG. BY: AL
CHK. BY: LFS
DRAWING NO.: FL-7989.3
SHEET 7 OF 8

NO.	DATE	BY

PRODUCT:
ASI ANCHOR SAFE
PANEL SHUTTER SYSTEM
.050" ALUMINUM PANEL
PART OR ASSEMBLY:
ANCHORING SCHEDULE
BLOCK

Documents Prepared By:

RW BUILDING CONSULTANTS, INC.
P.O. Box 230 Valrico FL 33595
Phone No.: 813.659.9197
Florida Board of Professional Engineers
Certificate Of Authorization No. 9813
Lyndon F. Schmidt, P.E. No. 43409

